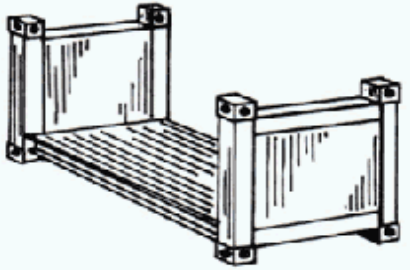


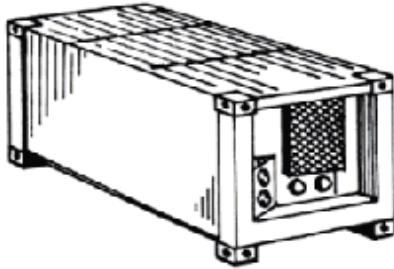
20' Container

**Interior Length 19' 5"
Interior Width 7' 6"
Interior Height 7' 9 1/2"
Cubic Capacity 1,165 cft
Weight Capacity 33,000 lbs**



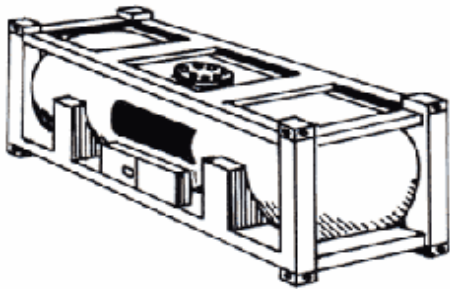
20' Flat Rack

**Interior Length 19' 6"
Interior Width 7' 5"
Interior Height 6' 9 3/4"
Weight Capacity 39,160 lbs**



20' Refrigerated Container

**Interior Length 17' 10"
Interior Width 7' 4 1/16"
Interior Height 7' 3 1/4"
Cubic Capacity 950 cft
Weight Capacity 38,118 lbs**



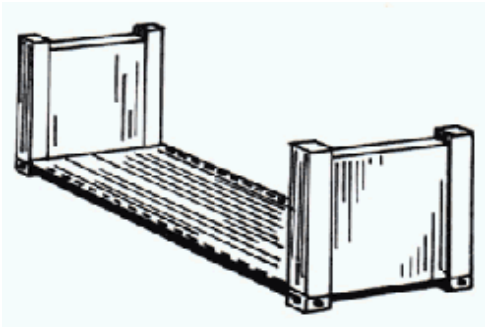
20' Tank Container

Interior Length 20'
Interior Width 8'
Interior Height 8' 6"
Cubic Capacity 904 cft
Liquid Capacity 6,764 US Gallons



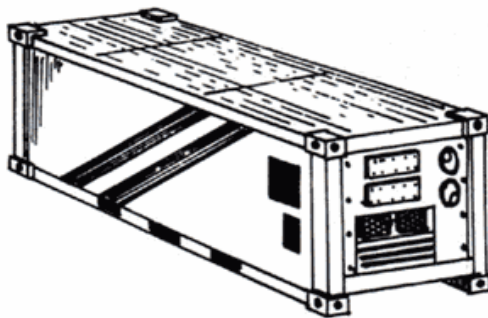
40' Container

Interior Length 39' 6 1/2"
Interior Width 7' 6"
Interior Height 7' 9 1/2"
Cubic Capacity 2,377 cft
Weight Capacity 44,000 lbs



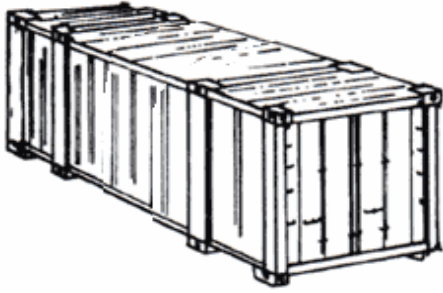
40' Flat Rack

Interior Length 39' 7"
Interior Width 8'
Interior Height 6' 9 3/4"
Weight Capacity 55,600 lbs



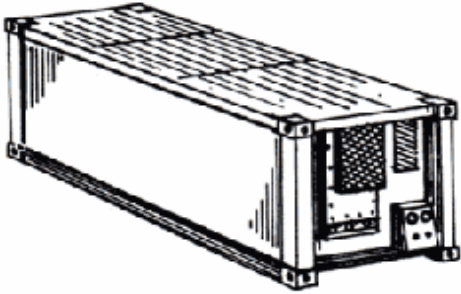
40' Refrigerated Container

Interior Length 36' 9 1/4"
Interior Width 7' 4 1/16"
Interior Height 4' 2 1/4"
Cubic Capacity 1,942 cft
Weight Capacity 57,120 lbs



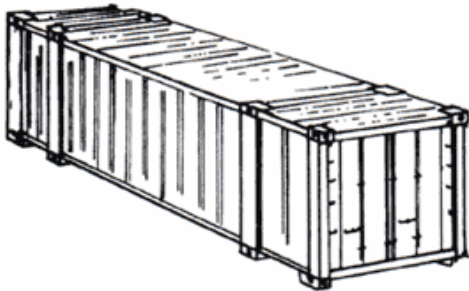
40' High Cube Container

Interior Length 39' 6 1/2"
Interior Width 7' 8"
Interior Height 8' 9 1/2"
Cubic Capacity 2,684 cft
Weight Capacity 44,000 lbs



40' High Cube Refrigerated Container

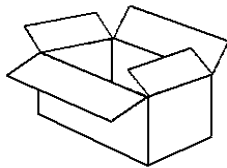
Interior Length 37' 11 13/16"
Interior Width 7' 6"
Interior Height 8' 2 1/16"
Cubic Capacity 2,325 cft
Weight Capacity 56,790 lbs



45' Container

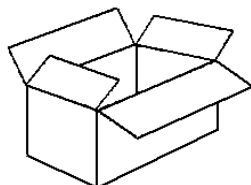
Interior Length 44' 6 1/2"
Interior Width 7' 8"
Interior Height 8' 10"
Cubic Capacity 3,026 cft
Weight Capacity 44,000 lbs

E Container

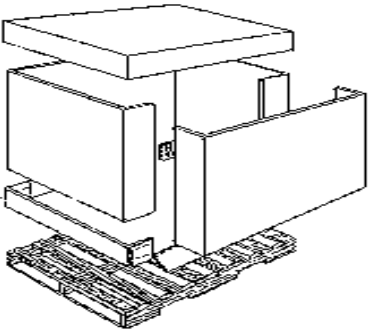


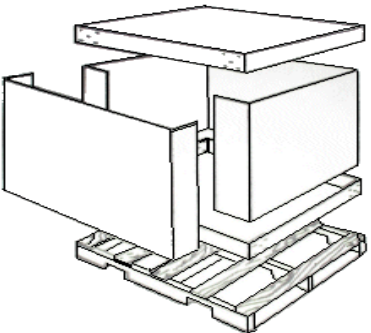
42 x 29 x 25 1/2
Volume: 17.5 cft
350# DW FOL/RSC

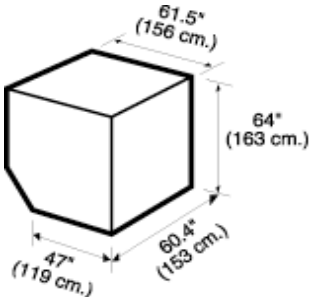
EH Container

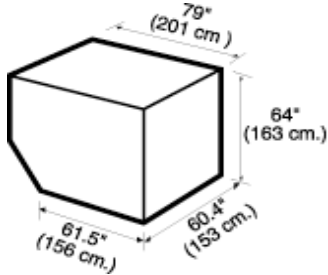


36 x 22 x 22
Volume: 9.5 cft
275# D/W/ RSC

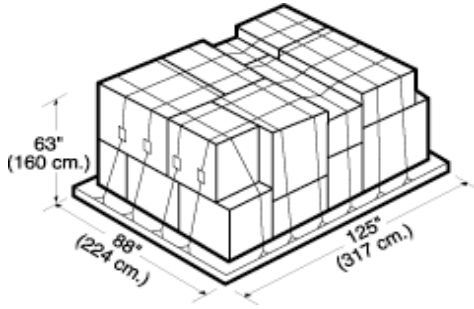
<p style="text-align: center;">D Container</p> 	<p>58 x 42 x 45 58 x 41 x 6 (knocked down) Volume: 62.00 cft 350# D/W RSC</p>
--	--

<p style="text-align: center;">LDN Container</p> 	<p>54 x 54 x 56 54 x 54 x 6 (knocked down) Volume: 92.00 cft 350# D/W FOL</p>
--	--

<p style="text-align: center;">Type LD2 Container</p> 	<p>Equivalent to IATA Type 8D Internal capacity: 116 cu. ft./3.3 cu. m. Maximum gross weight: 2,700 lb./1,225 kg. External dimensions: (L x W x H) 47" x 60.4" x 64" 119 cm. x 153 cm. x 163 cm.</p>
---	---

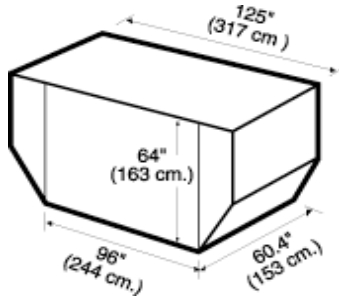
<p style="text-align: center;">Type LD3 Container</p> 	<p>Equivalent to IATA Type 8 Internal capacity: 153 cu. ft./4.3 cu. m. Maximum gross weight: 3,500 lb./1,588 kg. External dimensions: (L x W x H) 61.5" x 60.4" x 64" 154 cm. x 153 cm. x 163 cm.</p>
---	--

Type LD7 Container



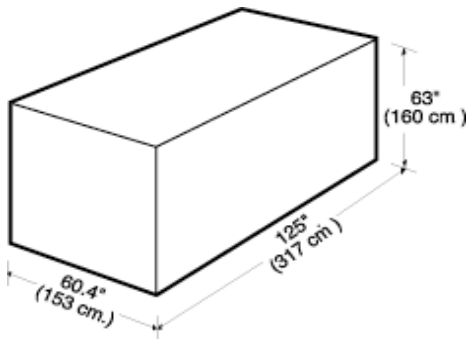
Equivalent to IATA Type 5
External displacement: 350 cu. ft./9.9 cu. m.
Maximum gross weight: 10,200 lb./4,627 kg.
Maximum external dimensions: (L x W x H)
125" x 88" x 63"
317 cm. x 224 cm. x 160 cm.

Type LD8 Container



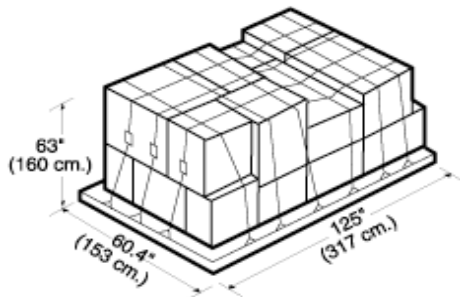
Equivalent to IATA Type 6A
Internal capacity: 247 cu. ft./7 cu. m.
Maximum gross weight: 5,400 lb./2,450 kg.
External dimensions: (L x W x H)
96" x 60.4" x 64"
244 cm. x 153 cm. x 163 cm.

Type LD11 Container



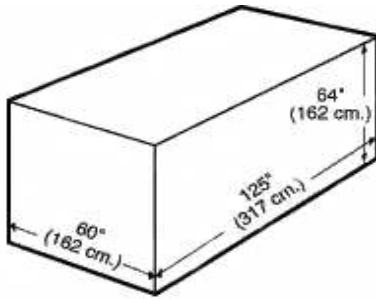
Equivalent to IATA Type 6
Internal capacity: 247 cu. ft./7 cu. m.
Maximum gross weight: 7,000 lb./3,176 kg.
External dimensions: (L x W x H)
125" x 60.4" x 63"
317 cm. x 153 cm. x 160 cm.

Type LD11 Pallet



Equivalent to IATA Type 6
External displacement: 242 cu. ft./6.9 cu. m.
Maximum gross weight: 7,000 lb./3,176 kg.
Maximum external dimensions: (L x W x H)
125" x 60.4" x 63"
317 cm. x 153 cm. x 160 cm.

Type P9 Pallet



Equivalent to IATA Type 6
Designed for the DC-10 aircraft
Provided by Hawaiian Air cargo
Height: 64.0"
Internal capacity: 215 cu. ft.
External displacement: 245 cu. ft.
Allowable tare weight: actual weight
Maximum gross weight: 6500 lbs.
Maximum floor bearing weight: 200 lbs. per sq. ft.